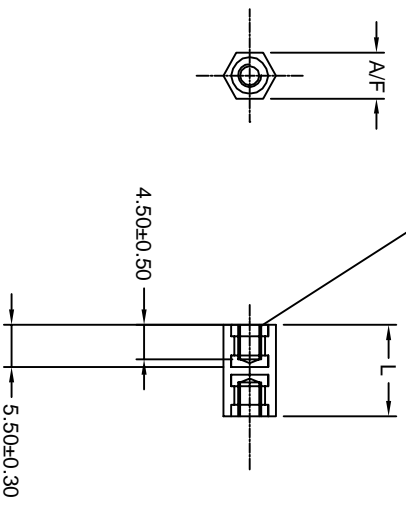


Brass Insert with M2.5 Tapping



AVAILABLE SIZES

| A/F | L | THREADING | PART CODE |
|-----|----|-----------|--------------|
| 6 | 12 | M2.5 | AEHS62.512NN |
| 6 | 13 | M2.5 | AEHS62.513NN |

| | | | | |
|---|---------------|-----------------------------------|--------------|--------------|
| ANAND Enterprises | | TOLERANCE UNLESS OTHERWISE STATED | | ±0.2 |
| HEAT TREATMENT | N/A | | | ANGLE +0.10° |
| MATERIAL | NYLON 6 BLACK | DATE | 17.8.2011 | QTY. |
| TITLE HEX SPACERS MOLDED WITH INSERTS | | DRG. NO. 112A | | UNIT MM |
| | | SCALE 1:1 | SHEET 1 OF 1 | |